

# SPECLEADS

by Silvertronix

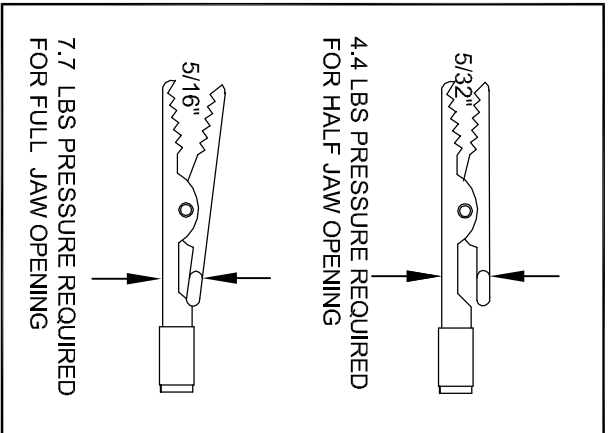
This drawing is not to be disclosed to a third party without the authority from the company ©

Date	8-19-09	DRN BY	MEA	TITLE	ALLIGATOR CLIP WITH 8-32 UNC THREADED BARREL
MAT'L	STEEL	SCALE	NONE	CURRENT RATING:	10 AMP

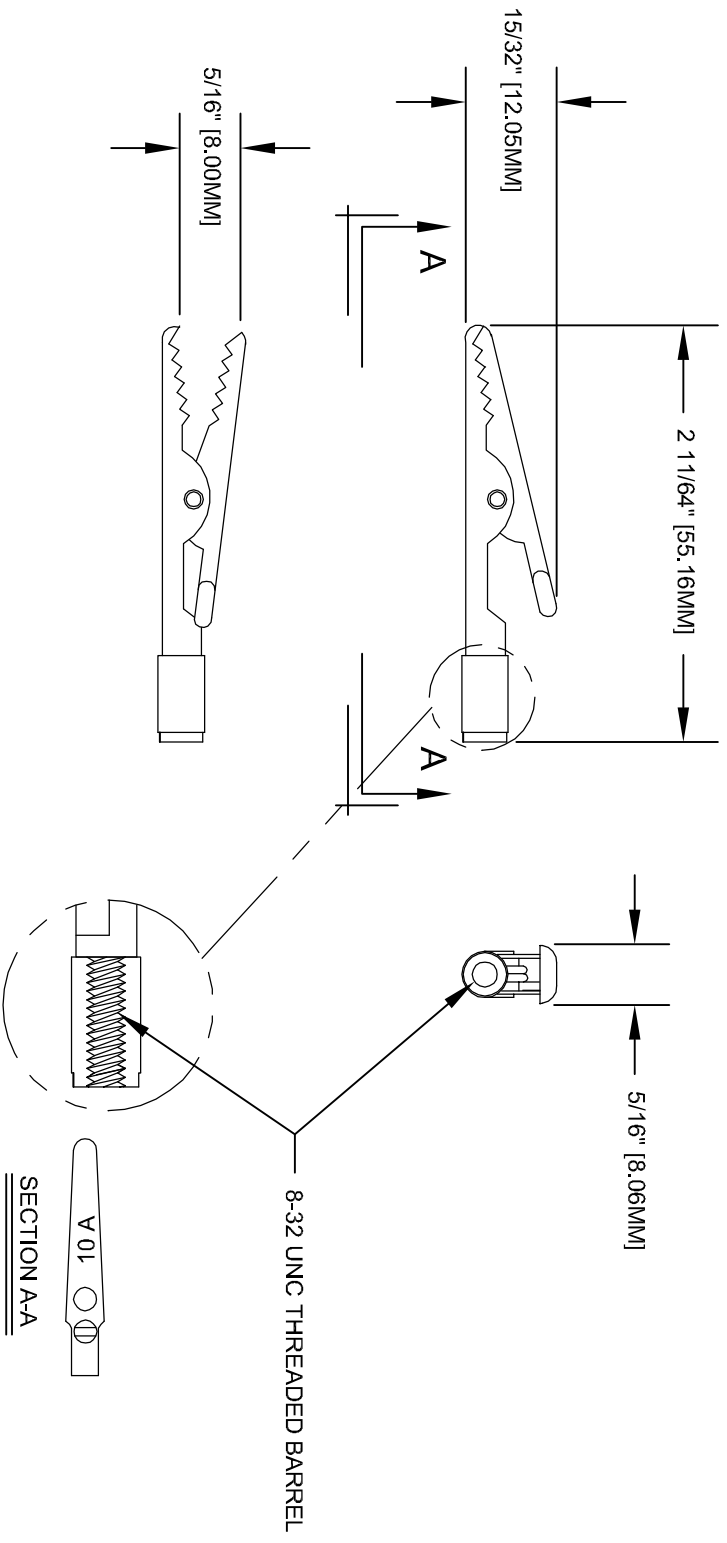
ISSUE NO.	0	1							
	8-19-09	9-14-09							

PART NO.	501785
PROJ. NO.	

FEDERAL SPEC : CID AA59466-010



FINISH: NICKEL PLATED



ASSEMBLY NO.	PACKAGING :	PRINTING AS ILLUSTRATED	CONCENTRICITY:	ANGLES
--------------	-------------	-------------------------	----------------	--------